



STEREOSCOPIC ZOOM MICROSCOPE

SMZ-2



Enjoy zoom flexibility with stereoscopic definition.

The Nikon SMZ-2 Stereoscopic Zoom Microscope features high-resolution zoom optics, which suits it perfectly for inspection, assembly and measurement work in the electronics industry. This also makes it the ideal biomedical instrument for dissections and preparation of specimens. And the stereoscopic images maintain the natural 3-dimensional perspective, so that relief contours are easier to see.

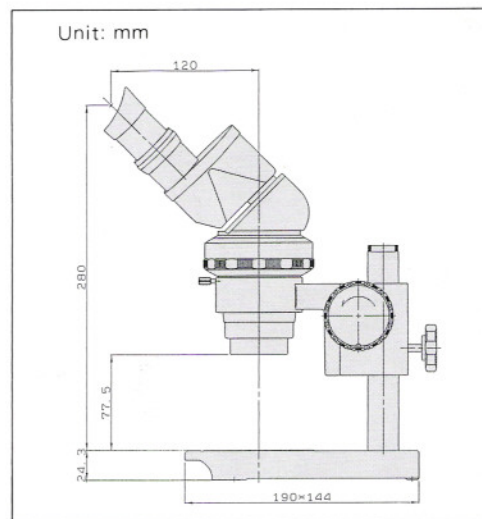
The SMZ-2 incorporates a matched pair of

parfocal, zoom objectives with continuously variable magnification covering a 5:1 range without changing the focus or working distance. This lets you move in for a close look at details, while leaving your hands free to work on the specimen. The full magnification range extends from 4X to 120X with interchangeable eye-pieces and an auxiliary objective lens.

A full complement of accessories, such as illuminators, stands, etc., are also available for a wide range of specific applications.

Specifications

| | |
|----------------------|--|
| Type | Twin zooming objective |
| Total magnification | Standard magnification 8X ~ 40X (with 10X eyepiece), 4X ~ 120X depending upon eyepiece and auxiliary objective lens used |
| Eyepiece inclination | 45° off vertical |
| Optical system | Erect/unreversed image Interpupillary distance adjustable from 56mm to 75mm Eyepiece diopter separately adjustable (+5 to -5 diopters) |
| Convergent angle | 12° |
| Eyepieces | 10X, 15X, 20X, 30X |
| Objective | 0.8X ~ 4X (zooming ratio 5:1) |
| Auxiliary objective | 0.5X, 0.7X |
| Real field of view | φ47.9 ~ φ1.1 mm |
| Eyepiece tube | Rotatable 360° |
| Working distance | 77.5 mm (standard), 100 mm (with 0.5X aux. objective), 85 mm (with 0.7X aux. objective) |
| Weight | 1.6 kg (zooming body only) |



Specifications and equipment are subject to change without any notice or obligation on the part of the manufacturer. June 2003. ©2001-03 NIKON CORPORATION

| | | |
|--|----------------|--|
| | WARNING | TO ENSURE CORRECT USAGE, READ THE CORRESPONDING MANUALS CAREFULLY BEFORE USING YOUR EQUIPMENT. |
|--|----------------|--|



NIKON CORPORATION
Fuji Bldg., 2-3, Marunouchi 3-chome, Chiyoda-ku,
Tokyo 100-8331, Japan
www.nikon.com/

NIKON INSTECH CO., LTD.
Parale Mitsui Bldg., 8, Higashida-cho, Kawasaki-ku,
Kawasaki, Kanagawa 210-0005, Japan
phone: +81-44-223-2175 fax: +81-44-223-2182
<http://www.ave.nikon.co.jp/inst/>

NIKON SINGAPORE PTE LTD
SINGAPORE phone: +65-6559-3618 fax: +65-6559-3668
NIKON MALAYSIA SDN. BHD.
MALAYSIA phone: +60-3-78763887 fax: +60-3-78763887

NIKON INSTRUMENTS EUROPE B.V.
P.O. Box 222, 1170 AE Badhoevedorp, The Netherlands
phone: +31-20-44-96-222 fax: +31-20-44-96-298
<http://www.nikon-instruments.com/>

NIKON FRANCE S.A.
FRANCE phone: +33-1-45-16-45-16 fax: +33-1-45-16-00-33
NIKON GMBH
GERMANY phone: +49-211-9414-0 fax: +49-211-9414-322
NIKON INSTRUMENTS S.p.A.
ITALY phone: +39-55-3009601 fax: +39-55-3009993
NIKON AG
SWITZERLAND phone: +41-43-277-2860 fax: +41-43-277-2861
NIKON UK LTD.
UNITED KINGDOM phone: +44-20-8541-4440 fax: +44-20-8541-4584

NIKON INSTRUMENTS INC.
1300 Walt Whitman Road, Melville, N.Y. 11747-3064, U.S.A.
phone: +1-631-547-8500; +1-800-52-NIKON (within the U.S.A. only) fax: +1-631-547-0306
<http://www.nikonusa.com/>

NIKON CANADA INC.
CANADA phone: +1-905-625-9910 fax: +1-905-625-0103



NIKON CORPORATION
Instruments Company

NIKON CORPORATION
Yokohama Plant

